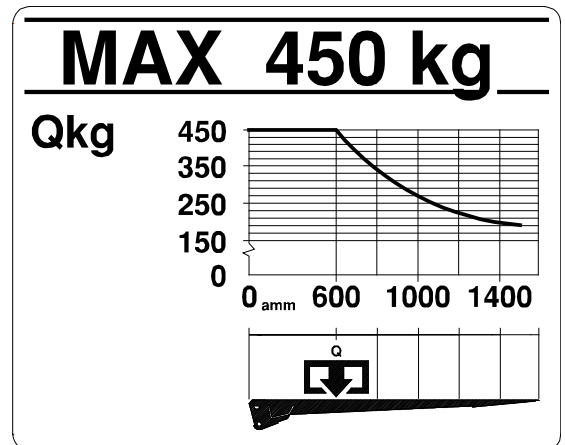
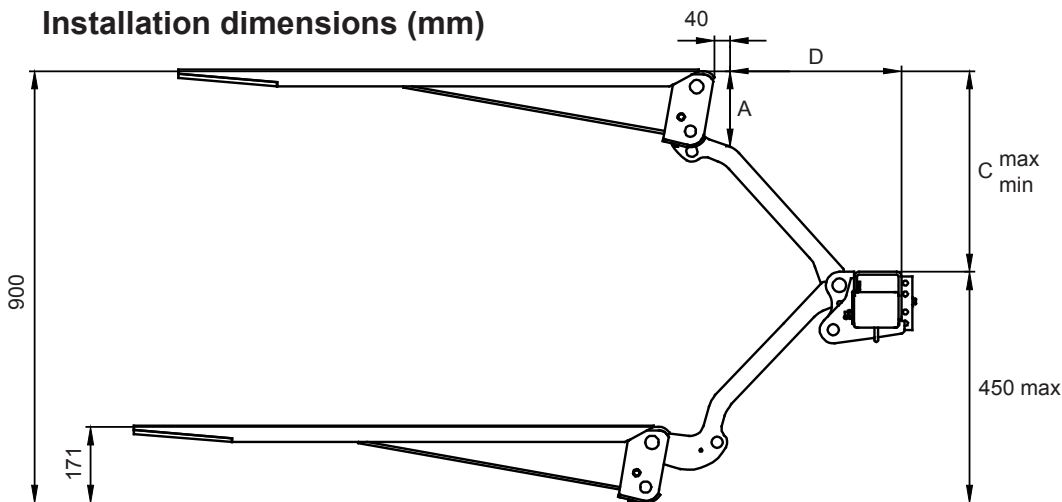


(110 bar)	12 volt	24 volt
Pump - Motor Unit	95A	60A
Magnet (hydraulic unit)	1,4A	0,7A
Magnet (electric safety valve)	1,5A	0,75A
Solenoid	1,8A	0,9A
Cable area:		
Control cable	1,5mm ²	1,5mm ²
Main cable 0-8m	35mm ²	35mm ²
Main cable 8-15m	35mm ²	35mm ²
Main cable <15m	-	35mm ²
Power source:		
Min. capacity	140Ah	110Ah
Min. voltage	9 Volt	18 Volt

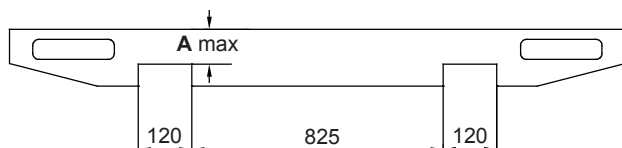
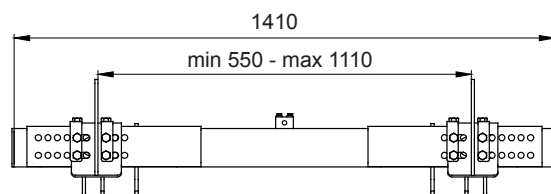
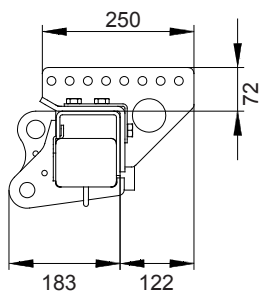
Loading diagram



Installation dimensions (mm)



C	A	D
450	170	384
400	154	444
350	143	490
300	134	526
250	127	554



ZEPRO Sales
 Tel: +46 (0)150 489 550
 Fax: +46 (0)150 489 551, +46 (0)150 489 566
 E-mail: zepro@zepro.com, Internet: www.zepro.com