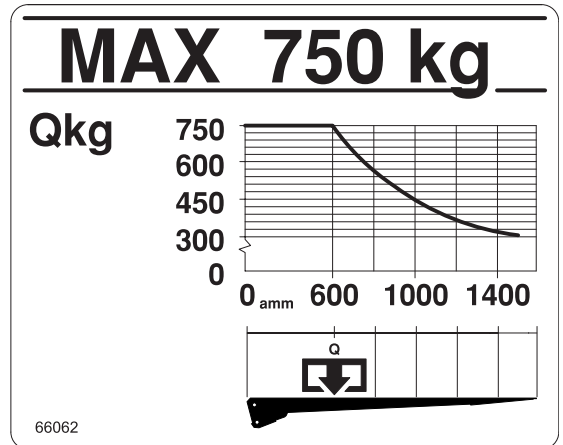
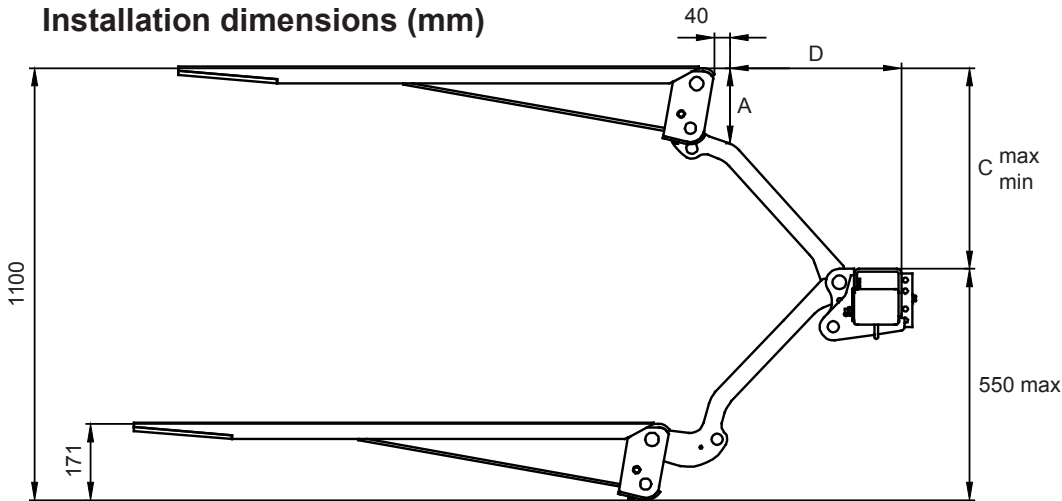


(150 bar)	12 volt	24 volt
Pump - Motor Unit	115A	75A
Magnet (hydraulic unit)	1,4A	0,7A
Magnet (electric safety valve)	1,5A	0,75A
Solenoid	1,8A	0,9A
Cable area:		
Control cable	1,5mm ²	1,5mm ²
Main cable 0-8m	35mm ²	35mm ²
Main cable 8-15m	35mm ²	35mm ²
Main cable <15m	-	35mm ²
Power source:		
Min. capacity	140Ah	110Ah
Min. voltage	9 Volt	18 Volt

Loading diagram



Installation dimensions (mm)



C	A	D
550	186	432
500	168	498
450	155	549
400	145	590
350	137	624
300	131	652
250	124	675

