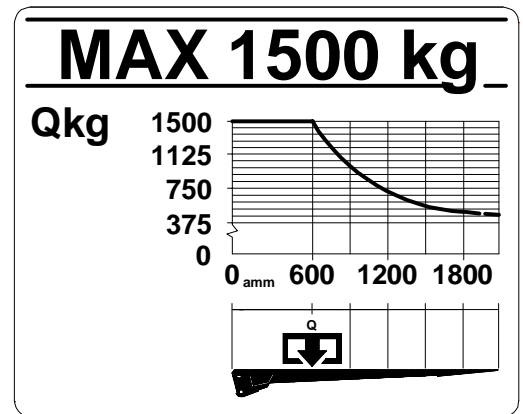
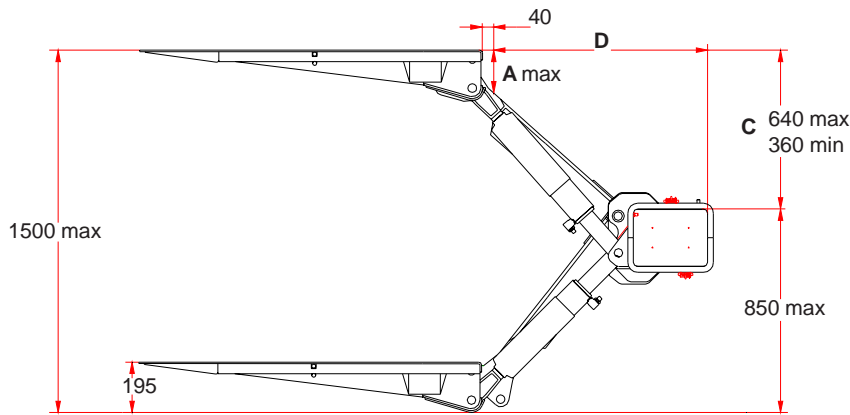


(170 bar)	12 volt	24 volt
Pump - Motor unit	260A	135A
Lowering valve	3,8A	2,0A
Shift valve	3,8A	2,0A
Solenoid	1,5A	0,9A
Wire cross-sections:		
Control current	1,5mm ²	1,5mm ²
Battery cable	35mm ²	35mm ²
Minimum battery capacity 160Ah		

Loading diagram



Installation dimensions (mm)



A	C	D
147	640	837
140	600	878
130	550	922
120	500	959
109	450	992
101	400	1020
94	360	1039

