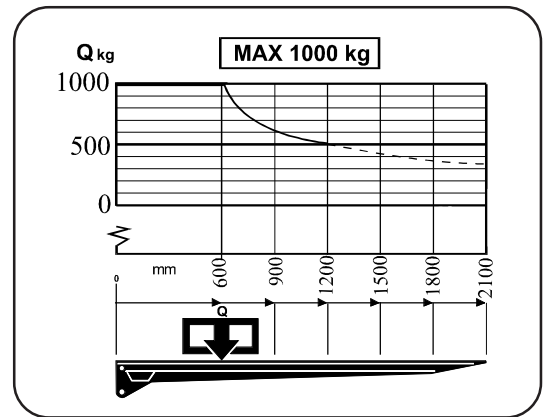
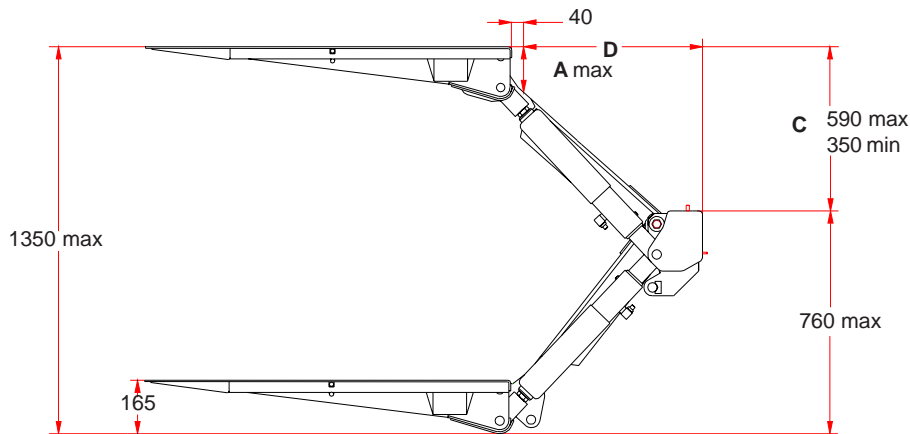


	12 volt	24 volt
Motor	220A	105A
Lowering valve	6,4A	2,4A
Shift valve	6,4A	2,4A
Solenoid	1,5A	0,9A
Wire cross-sections:		
Control current	1,5mm ²	1,5mm ²
Battery cable	35mm ²	35mm ²
Minimum battery capacity 160Ah		

Loading diagram



Installation dimensions (mm)



A	C	D
172	590	524
155	550	574
138	500	625
125	450	667
118	420	689
102	350	733

