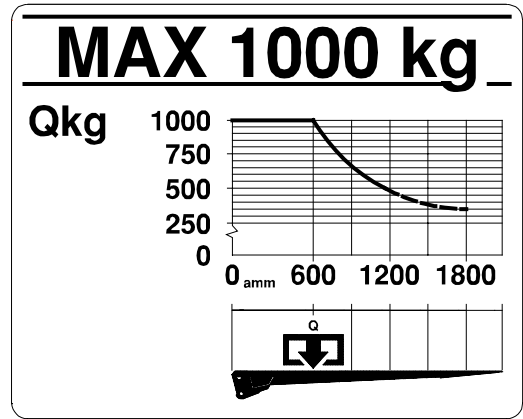
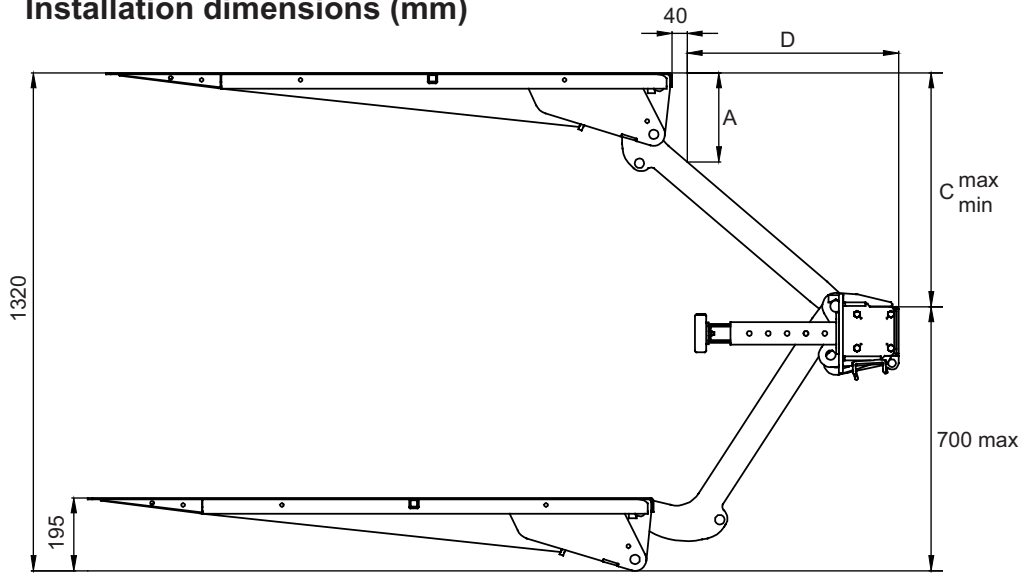


(150 bar)	12 volt	24 volt
Pump - Motor unit	140A	75A
Magnet (hydraulic unit)	4,2A	2,1A
Magnet (electric safety valve)	1,5A	0,75A
Solenoid	1,5A	0,85A
Cable area:		
Control cable	1,5mm <sup>2</sup>	1,5mm <sup>2</sup>
Main cable 0-8m	35mm <sup>2</sup>	35mm <sup>2</sup>
Main cable 8-15m	50mm <sup>2</sup>	35mm <sup>2</sup>
Main cable <15m	-	50mm <sup>2</sup>
Power source:		
Min. capacity	180Ah	170Ah
Min. voltage	9 Volt	18 Volt

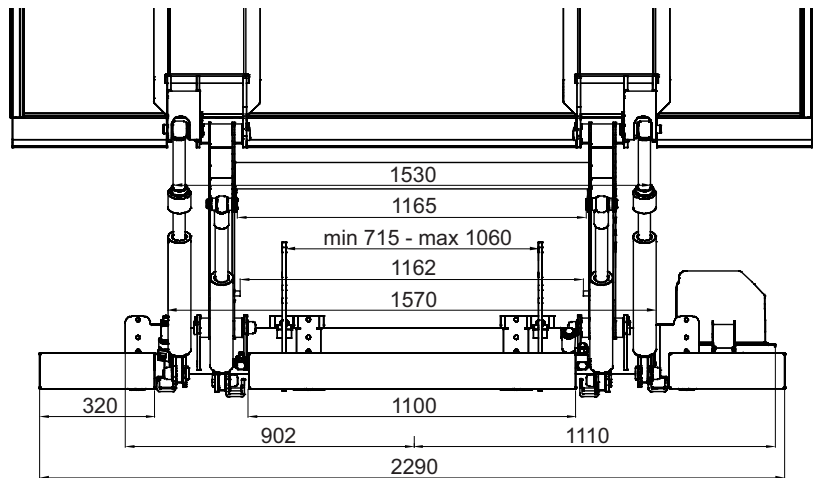
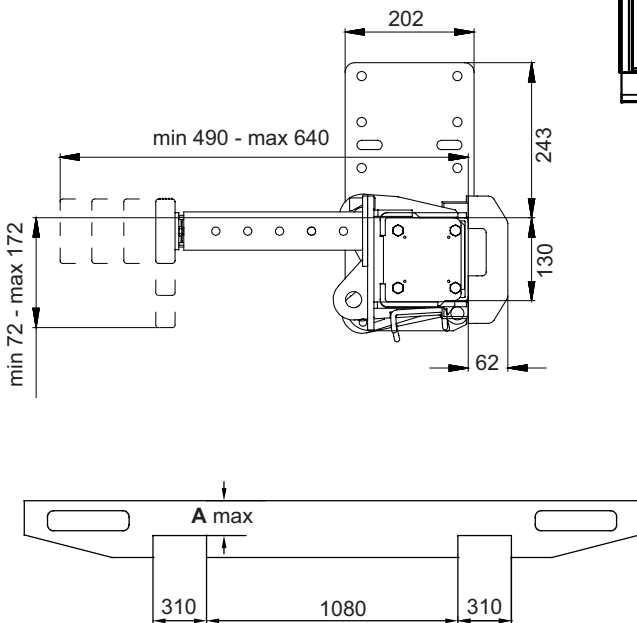
Loading diagram



Installation dimensions (mm)



A	C	D
234	620	561
224	600	585
205	550	637
190	500	681
178	450	717
167	400	748
161	370	764



ZEPRO Sales Tel: +46 150 489 550  
 Fax: +46 150 489 551, +46 150 489 566  
 E-mail: info@z-lyften.se Internet: www.z-lyften.se, www.zepro.com