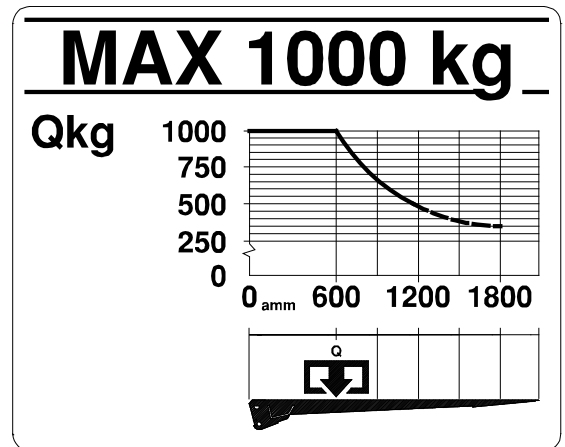
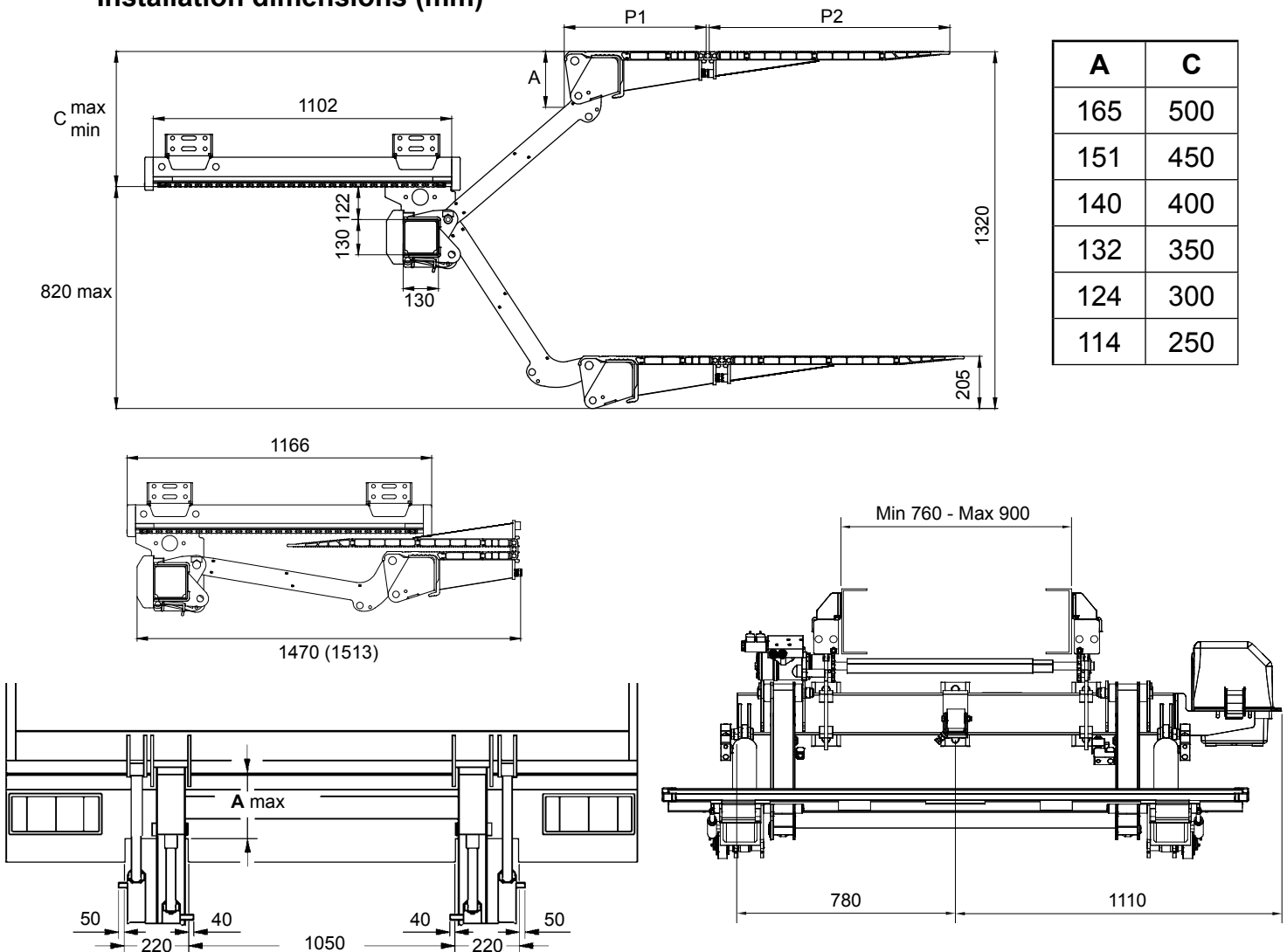


| (150 bar) | 12 volt | 24 volt |
|--------------------------------|--------------------|--------------------|
| Pump - Motor Unit | 140A | 75A |
| Magnet (hydraulic unit) | 4,2A | 2,1A |
| Magnet (electric safety valve) | 1,5A | 0,75A |
| Solenoid | 1,5A | 0,85A |
| Cable area: | | |
| Control cable | 1,5mm ² | 1,5mm ² |
| Main cable 0-8m | 35mm ² | 35mm ² |
| Main cable 8-15m | 50mm ² | 35mm ² |
| Main cable <15m | - | 50mm ² |
| Power source: | | |
| Min. capacity | 180Ah | 170Ah |
| Min. voltage | 9 Volt | 18 Volt |

Loading diagram



Installation dimensions (mm)



Single folding platform

| Platform Length | P1 | P2 | Total overhang |
|-----------------|-----|-----|----------------|
| 1198 | 524 | 664 | 1470 |
| 1423 | 524 | 889 | 1470 |
| 1466 | 567 | 889 | 1513 |



ZEPRO

ZEPRO Sales

Tel: +46 150 489 550
 Fax: +46 150 489 551, +46 150 489 566
 E-mail: info@z-lyften.se
 Internet: www.z-lyften.se, www.zepron.com