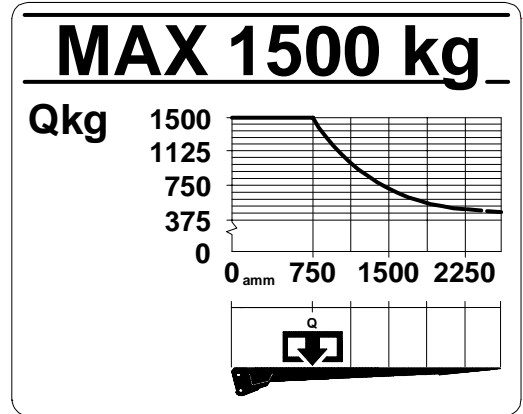
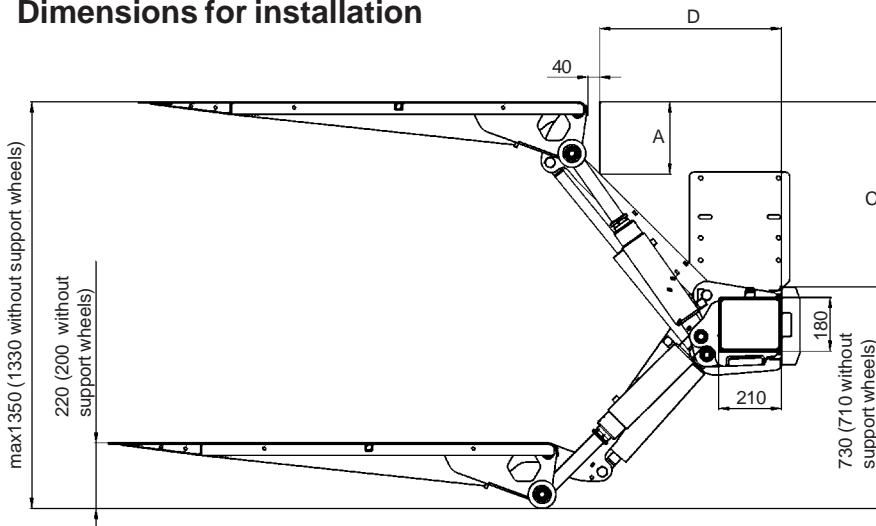


(160 bar)	12 volt	24 volt
Pump - Motor Unit	245A	125A
Magnet (hydraulic unit)	4,2A	2,1A
Magnet (electric safety valve)	1,5A	0,75A
Solenoid	1,5A	0,85A
Cable area:		
Control cable	1,5mm ²	1,5mm ²
Main cable 0-8m	35mm ²	35mm ²
Main cable 8-15m	50mm ²	35mm ²
Main cable <15m	-	50mm ²
Power source:		
Min. capacity	170Ah	180Ah
Min. voltage	9 Volt	18 Volt

Loading Diagram



Dimensions for installation



C	A	D
620	242	608
570	215	672
520	196	723
470	171	766
420	149	802
370	130	832
330	117	856

