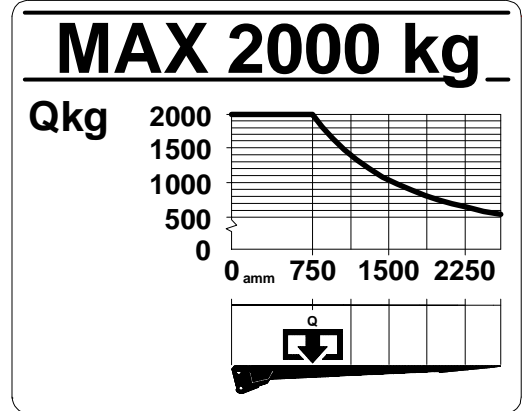
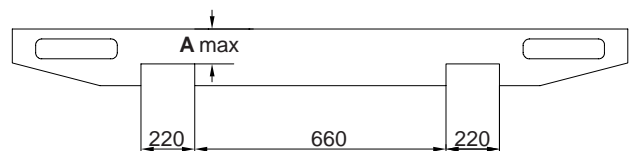
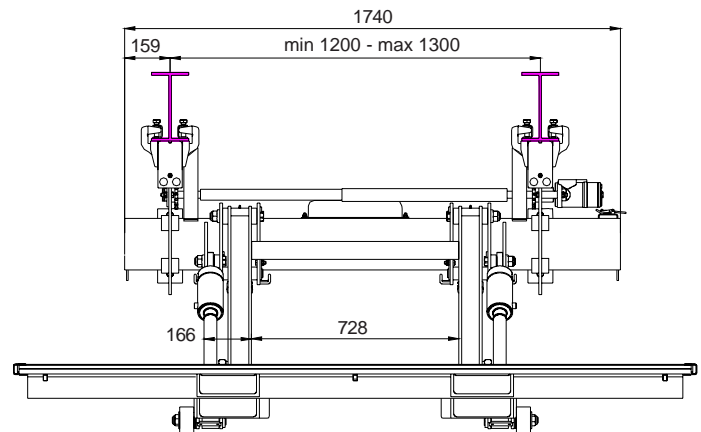
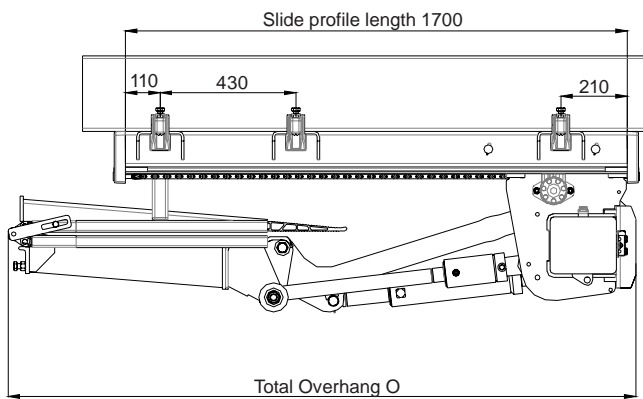
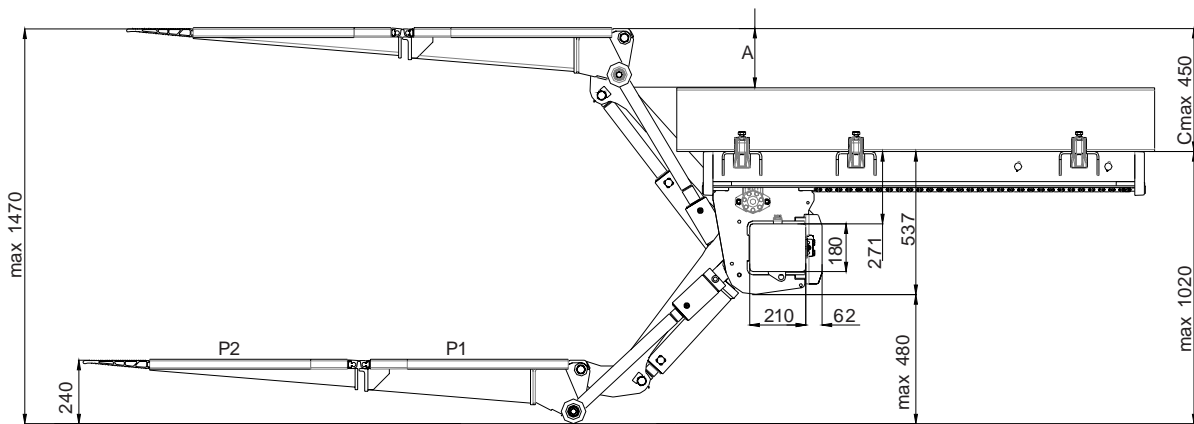


(200 bar)	12 volt	24 volt
Pump - Motor unit	250A	150A
Magnet (hydraulic unit)	4,2A	2,1A
Magnet (electric safety valve)	1,5A	0,75A
Solenoid	1,5A	0,85A
Cable area:		
Control cable	1,5mm ²	1,5mm ²
Main cable 0-8m	35mm ²	35mm ²
Main cable 8-15m	50mm ²	35mm ²
Main cable <15m	-	50mm ²
Power source:		
Min. capacity	170Ah	180Ah
Min. voltage	9 Volt	18 Volt

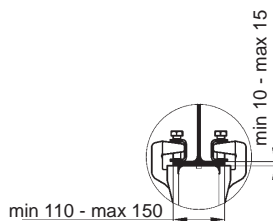
Loading diagram



Installation dimensions (mm)



C	A
450	217
400	206
350	186
300	170
250	150
200	125



PML

P1	P2	O
749	889	1878
824	989	1953

