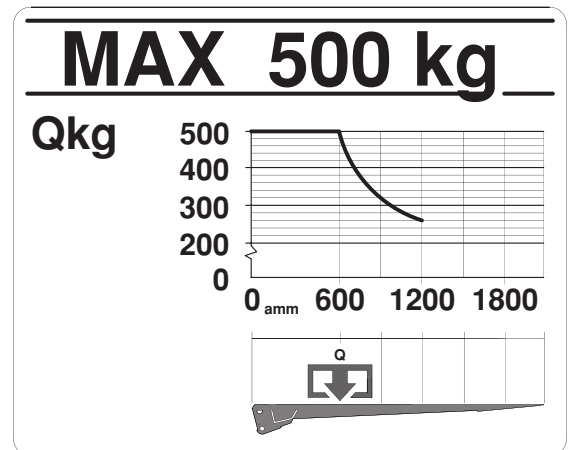


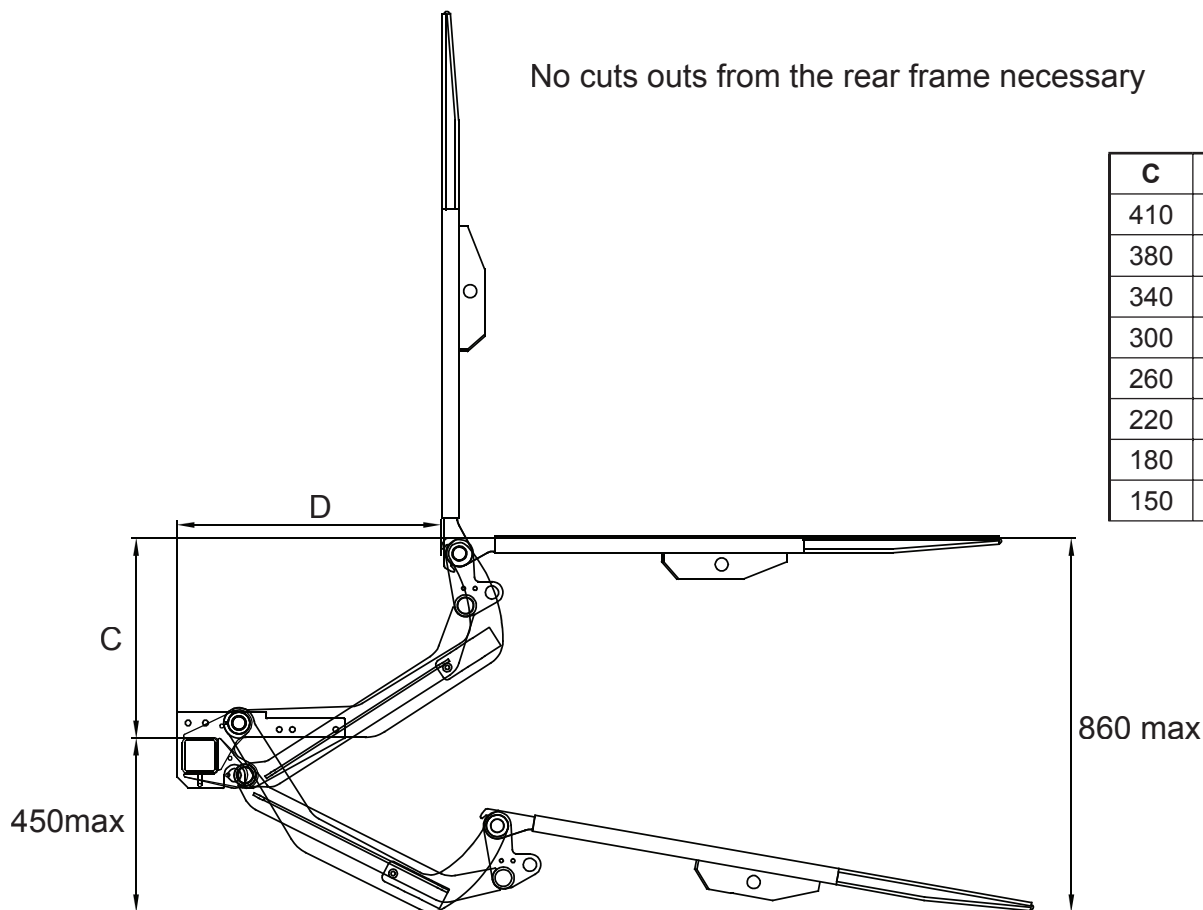
Loading diagram

(190 bar)	12 volt	24 volt
Pump - Motor Unit	110A	60A
Magnet (hydraulic unit)	1,4A	0,7A
Magnet (electric safety valve)	1,5A	0,75A
Solenoid	1,8A	0,9A
Cable area:		
Control cable	1,5mm ²	1,5mm ²
Main cable 0-8m	35mm ²	35mm ²
Main cable 8-15m	35mm ²	35mm ²
Main cable <15m	-	35mm ²
Power source:		
Min. capacity	140Ah	110Ah
Min. voltage	9 Volt	18 Volt



Installation dimensions (mm)

No cuts outs from the rear frame necessary



C	D
410	642
380	660
340	680
300	697
260	711
220	722
180	730
150	735

